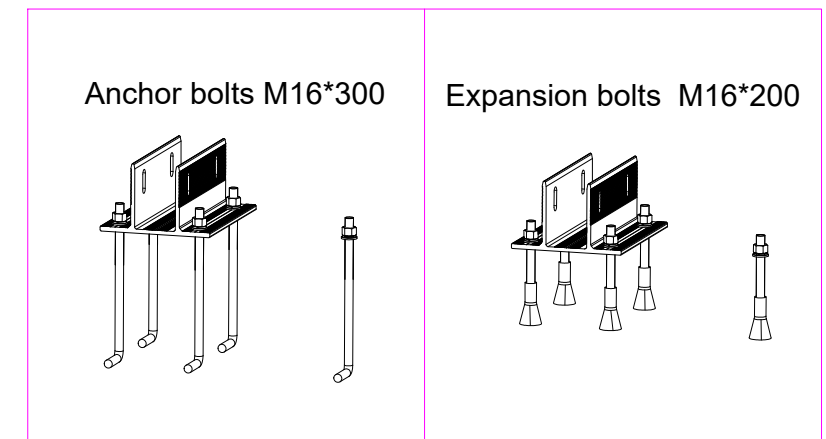
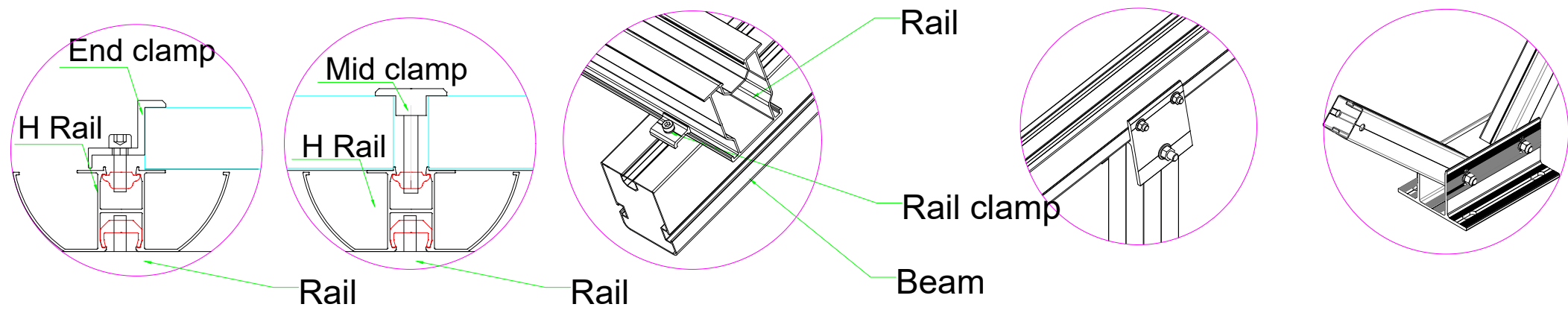
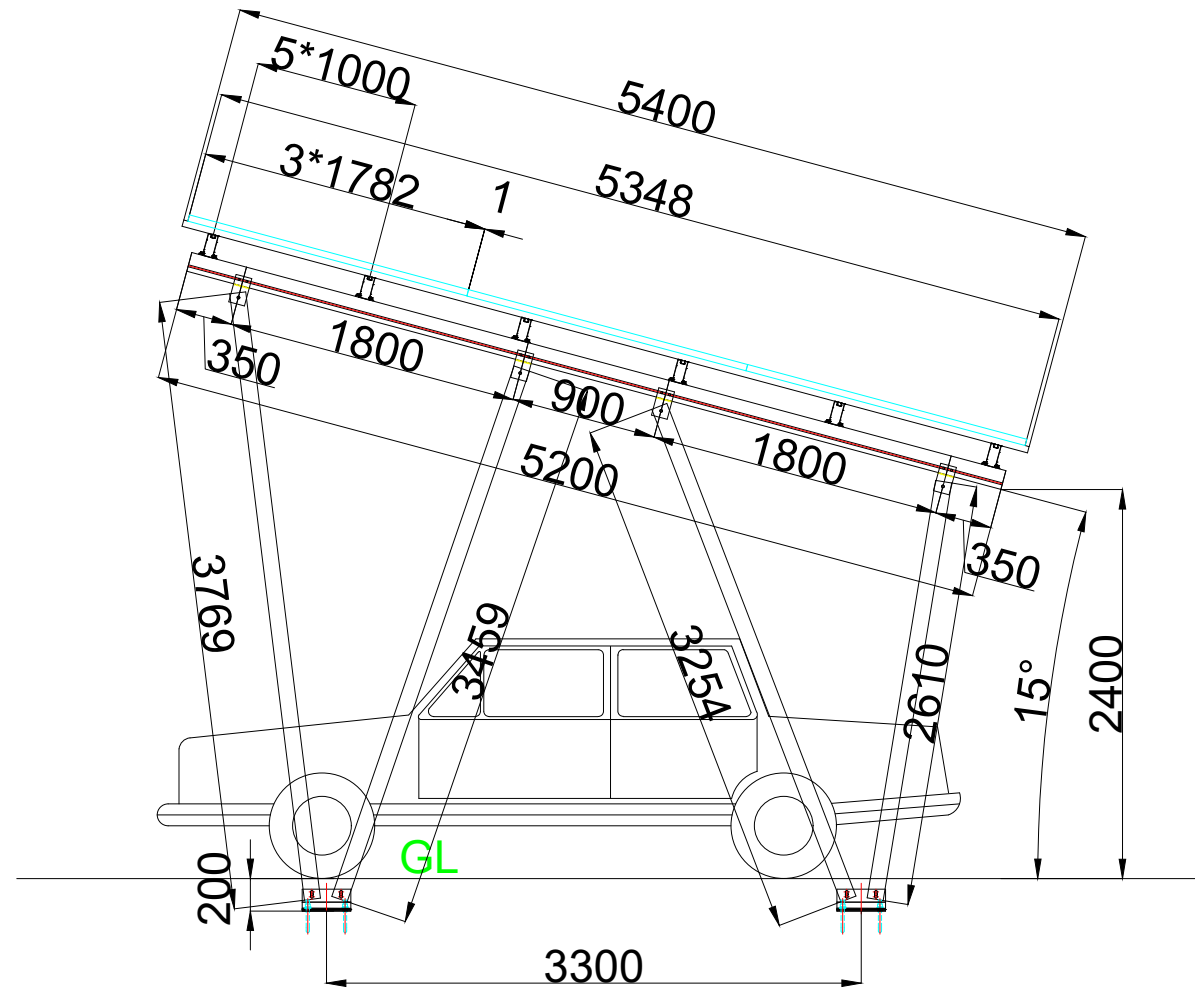
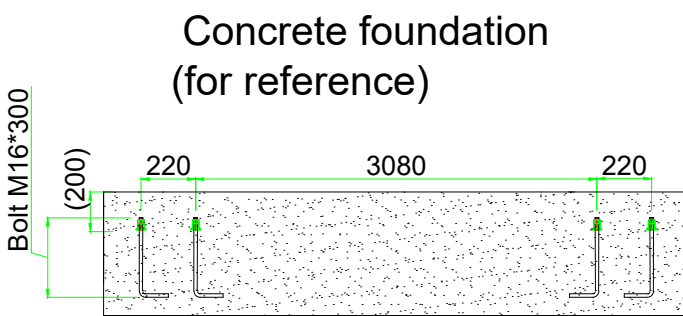


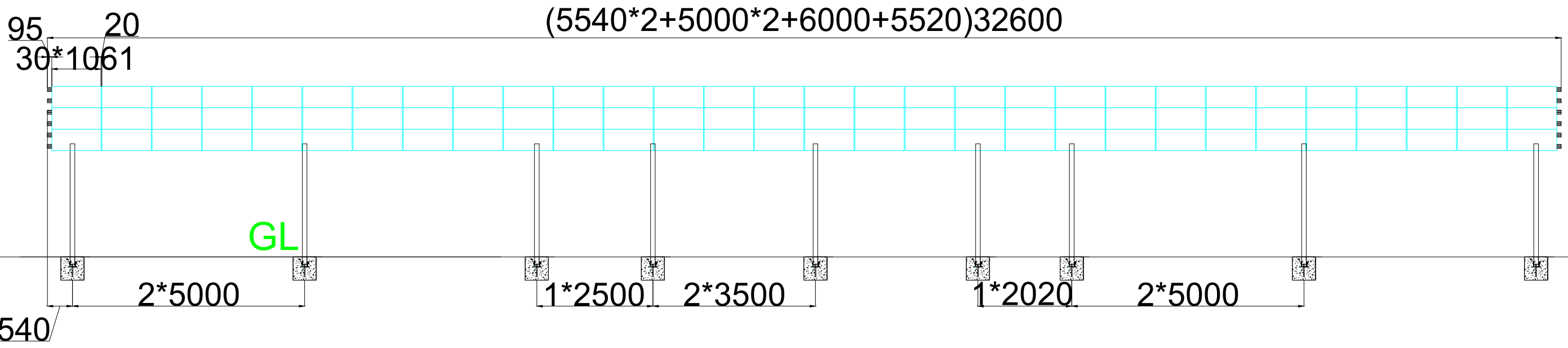
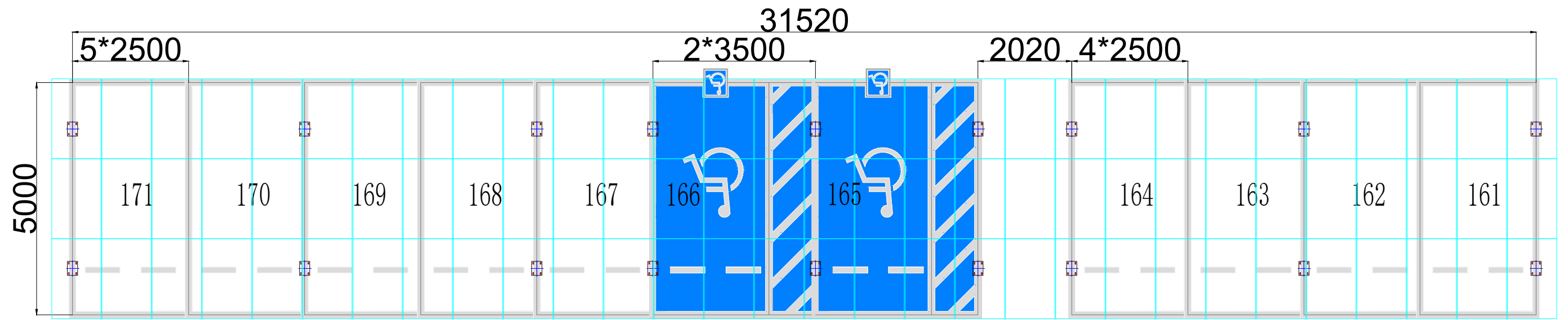
3x50
3x30



Technical information:
 1. Module Size 1782x1061x35mm-370W-32kg.
 2. Design Code: Eurocode.
 3. Design wind is 22.5m/s.
 4. Design snow load is 1.55KN/m².




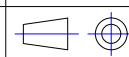
Item	Name	Qty	Description			
Drawing Name	iBPC GmbH Energie und Umwelttechnik	Project Name	Waterproof Carport Solar system			
Design	Byron	Date	Ver.	Paper	Scale	View
Check	3x50 3x30	2024/2/23	01	A4		

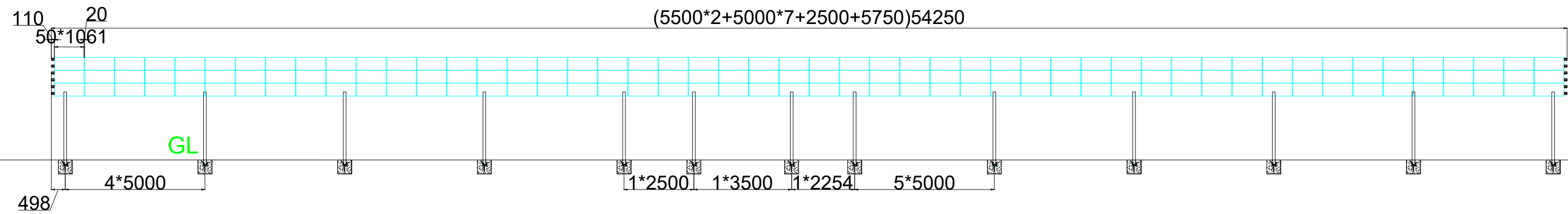
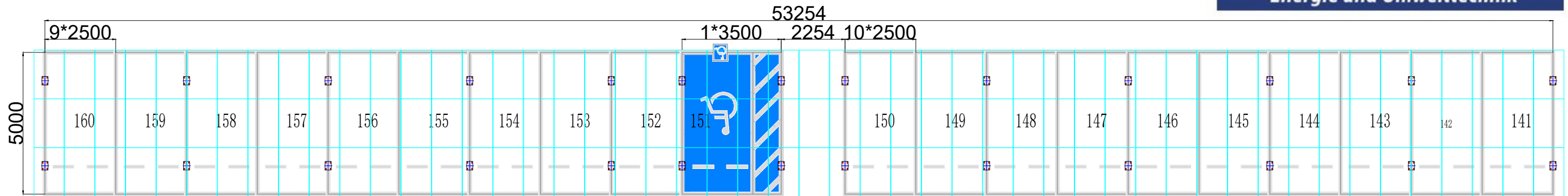


Technical information:

1. Module Size 1782x1061x35mm-370W-32kg.
2. Design Code: Eurocode.
3. Design wind is 22.5m/s.
4. Design snow load is 1.55KN/m².

3x30

Item	Name	Qty	Description			
Drawing Name		Project Name	Waterproof Carport Solar system			
Design	Byron	Date	Ver.	Paper	Scale	View
Check	3x30	2024/2/23	01	A4		



Technical information:

1. Module Size 1782x1061x35mm-370W-32kg.
2. Design Code: Eurocode.
3. Design wind is 22.5m/s.
4. Design snow load is 1.55KN/m².

3x50

Item	Name	Qty	Description			
Drawing Name		Project Name	Waterproof Carport Solar system			
Design	Byron	Date	Ver.	Paper	Scale	View
Check	3x50	2024/2/23	01	A4		