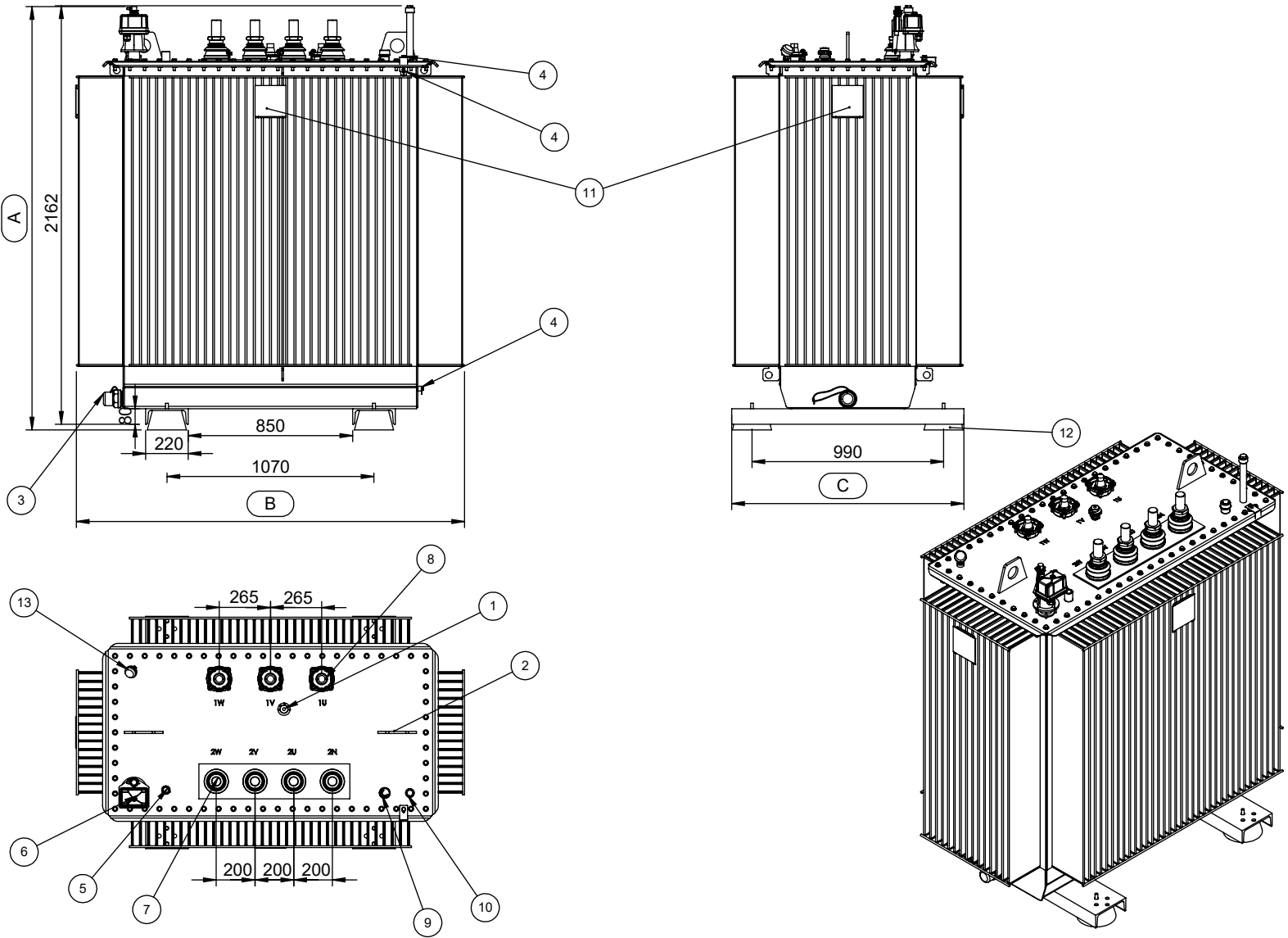


REVISION TABLE

Rev	Revision Notes	Date	Approved
-	BOILER OVERHAUL	03.05.2023	-



Item	Quantity	Description	Detail
1	1	TAP CHANGER DRIVE	
2	2	LIFTING LUGS	
3	1	OIL DRAIN VALVE	(NV40)
4	1	EARTHING TERMINALS	
5	1	THERMOMETER POCKET	
6	1	MULTIFUNCTIONAL PROTECTION RELAY	
7	4	LV BUSHINGS	1 KV 3150 A
8	3	PLUG-IN	24 kV 250 A
9	1	PRESSURE SAFETY VALVE	
10	1	1" PIPE	
11		RATING PLATE	
12	4	ANTIVIBRATION PAD	
13	1	PT 100	

*DIMENSIONS AND WEIGHTS ARE APPROXIMATE.

HEIGHT - A (mm)	2190
LENGTH - B (mm)	2010
WIDTH - C (mm)	1200
RATED POWER (kVA)	3150
RATED VOLTAGE (kV)	20-0,66
FREQUENCY (Hz)	50
VECTOR GROUP	DYN5
COOLING CLASS	ONAN
WEIGHT of ACTIVE PART (kg)	4377
WEIGHT of OIL (kg)	1042
WEIGHT of TRANSFORMERS (kg)	6371
PAINT COLOR	RAL 7033
CORROSION LEVEL	C4-L

Prepared BATUHAN KÖSE	Responsible Department Mech. Design Dep.	Purchase Order No. 4180498-1	
Approved	Date 14.02.2023	Title RN5569-S_3150 kVA 20-0,66 kV TRANSFORMATOR	
SEM Transformator		Document No. YM00111059	Rev. - Scale 1:32 Sheet 1

The information contained in this document is to be kept strictly confidential. Any unauthorized use, reproduction, or disclosure is strictly prohibited. Do not copy right this document without permission.