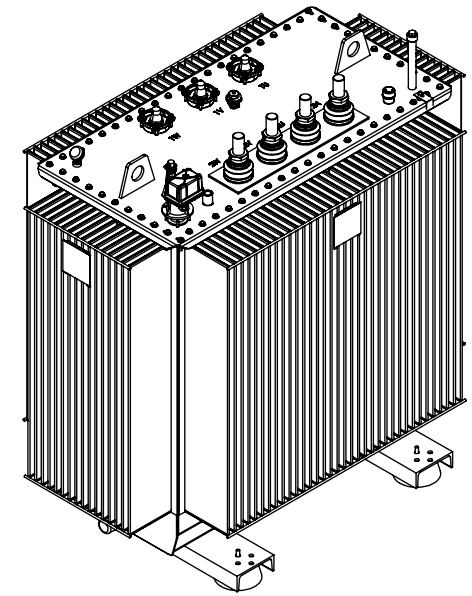
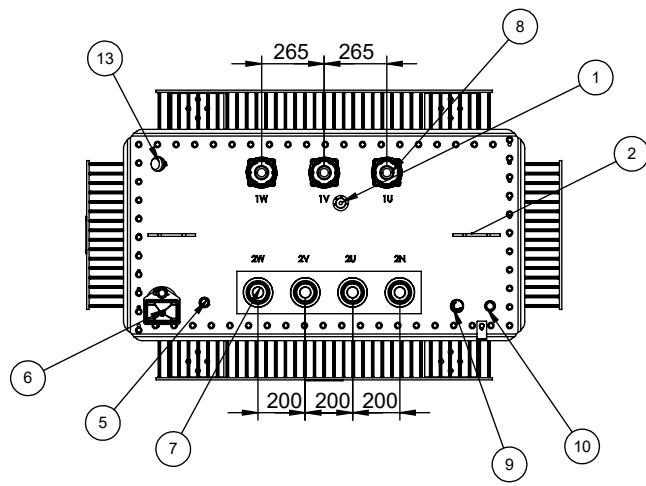
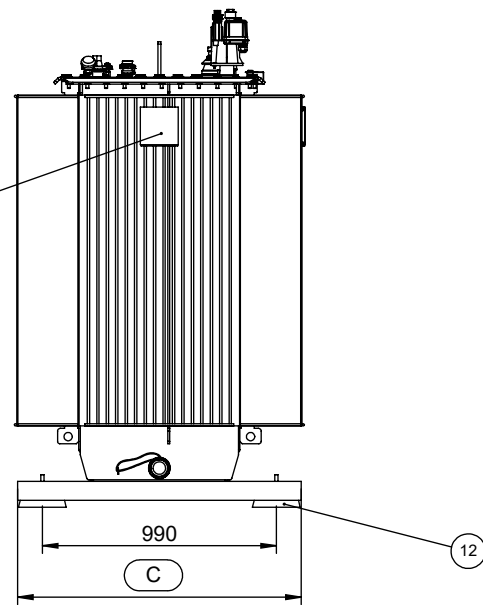
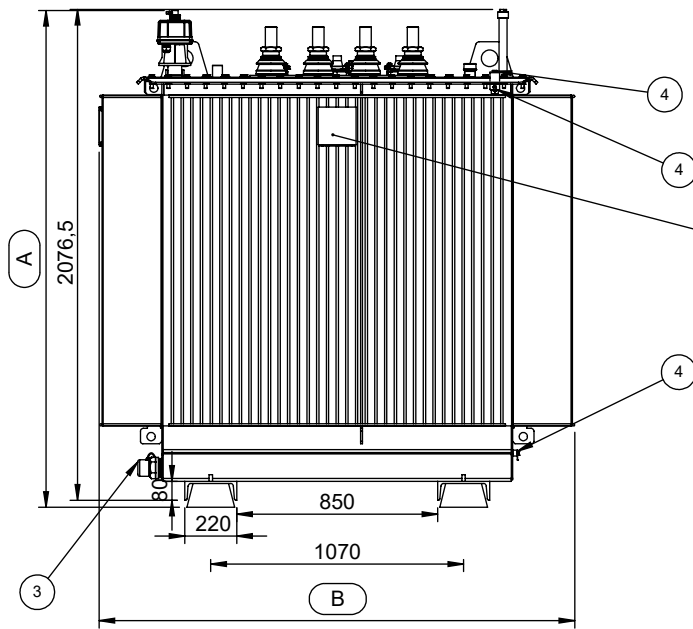




The information contained in this document is to be kept strictly confidential. Any unauthorized use, reproduction or disclosure is strictly prohibited. Do not copyright this document without permission.



| Item | Quantity | Description | Detail |
|------|----------|----------------------------------|-------------|
| 1 | 1 | TAP CHANGER DRIVE | |
| 2 | 2 | LIFTING LUGS | |
| 3 | 1 | OIL DRAIN VALVE | (NV40) |
| 4 | 1 | EARTHING TERMINALS | |
| 5 | 1 | THERMOMETER POCKET | |
| 6 | 1 | MULTIFUNCTIONAL PROTECTION RELAY | |
| 7 | 4 | LV BUSHINGS | 1 KV 3150 A |
| 8 | 3 | PLUG-IN | 24 kV 250 A |
| 9 | 1 | PRESSURE SAFETY VALVE | |
| 10 | 1 | 1" PIPE | |
| 11 | 2 | RATING PLATE | |
| 12 | 4 | ANTIVIBRATION PAD | |
| 13 | 1 | PT100 | |

***DIMENSIONS AND WEIGHTS ARE APPROXIMATE.**

| | |
|-----------------------------|----------|
| HEIGHT - A (mm) | 2105 |
| LENGTH - B (mm) | 2010 |
| WIDTH - C (mm) | 1200 |
| RATED POWER (kVA) | 3150 |
| RATED VOLTAGE (kV) | 20-0,8 |
| FREQUENCY (Hz) | 50 |
| VECTOR GROUP | DYN5 |
| COOLING CLASS | ONAN |
| WEIGHT of ACTIVE PART (kg) | 3957 |
| WEIGHT of OIL (kg) | 1012 |
| WEIGHT of TRANSFORMERS (kg) | 5975 |
| PAINT COLOR | RAL 7033 |
| CORROSION LEVEL | C4-L |

| | | | |
|---|---|---|---|
| Prepared BURAK KAVAK | Responsible Department Mech. Design Dep. | Purchase Order No. 4180498-3 |  Rev. - Scale 1:32 Sheet 1 |
| Approved | Date 21.03.2023 | Title RN5571-S_3150 kVA 20-0,8 kV TRANSFORMATOR | |
|  SEM Transformator | | Document No. YM00121841 | |